

Elevation indicator for the BAS 66 and BAS 66 Skew planar antenna

Features

- Installation kit for the BAS 66 and BAS 66 Skew planar antenna
- Installation to the BAS 66 and BAS 66 Skew LNB casing with just a few movements of the hand
- Easy alignment of the antenna in conjunction with the UFS 940/UFS 946/CAP-Konverter
- Display of target elevation and actual elevation in the receiver menu/control unit HDS 50/CAPcontrol app
- Elevation can also be displayed with the skew set
- Display of the adjusted skew in the control unit HDS 50/app CAPcontrol
- No additional wiring between antenna and receiver/CAP converter



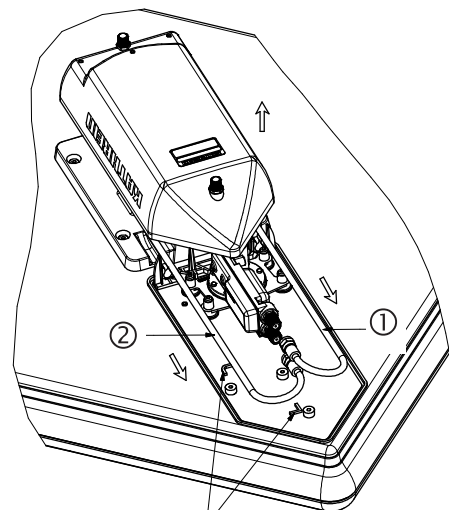
Installation and safety instructions



- The device described is exclusively for installation in a BAS 66 or BAS 66 Skew planar antenna.
- Any other use, or failure to comply with these instructions, will result in voiding of warranty cover.
- During installation, comply with the safety instructions in the BAS 66 or BAS 66 Skew user instructions and the installation instructions. If you no longer have the respective documentation at hand, you can download the latest version of the documentation from the Internet (<https://www.kathrein-ds.com/support/downloadbereich/>).

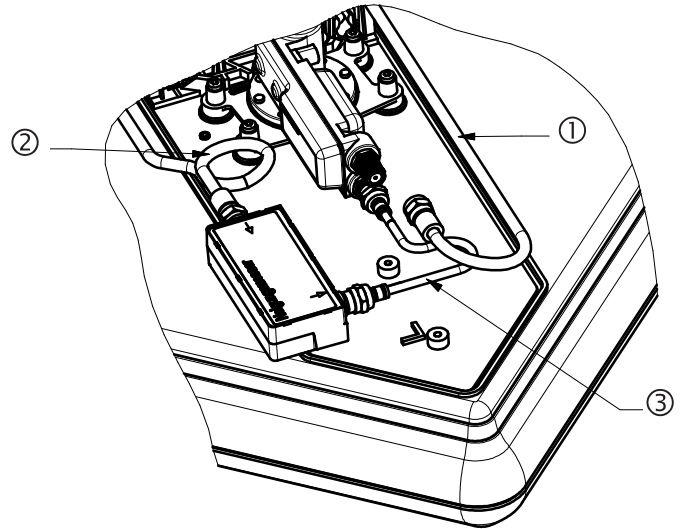
Installation

- Undo the two knurled screws and take off the LNB protective cover
- Now disconnect the coaxial cables ① und ② from the LNB connection

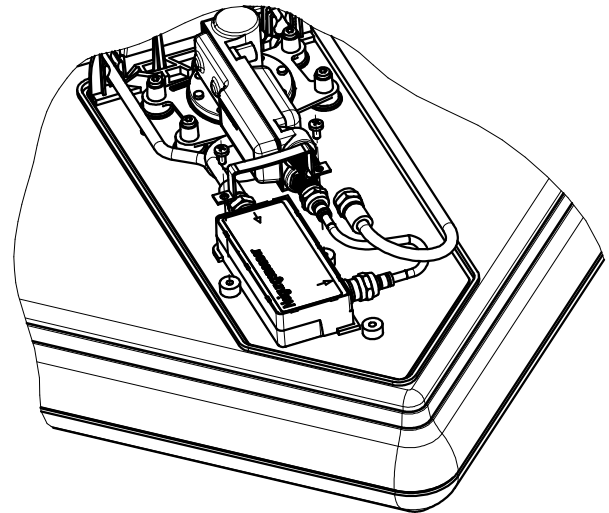


Guide frame HDZ 66 Skew

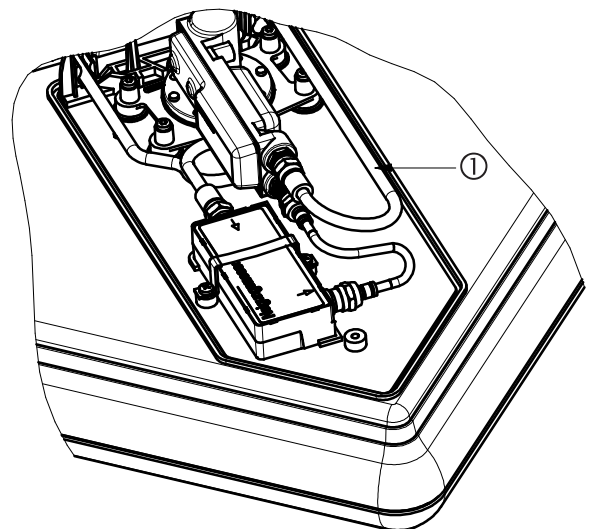
- Connect the inclinometer HDZ 66 Skew (connection: "LNB") to one end of the supplied coaxial cable ③ and the other end to the lower F-Type connector of the LNB (max torque 3.4 Nm)
- With the cable marked ② (of the appropriate HDZ 66 Skew receiver) make a loop in the cable under the LNB and screw on the HDZ 66 Skew (connection: "CAP-Konverter/TV") (max torque 3.4 Nm)



- Place the inclinometer as shown on the right, into the guide frame of the flat antenna
- Fix the inclinometer using the supplied bracket and screws



- Connect the F-type connector of cable ① to the remaining socket of the LNB (upper socket, torque 3.4)
- Refit the LNB protective cover and secure it with the two knurled screws.



Electronic equipment

Electronic equipment is not domestic waste – in accordance with directive 2012/19/EC OF THE EUROPEAN PARLIAMENT AND THE COUNCIL dated 04th July 2012 concerning used electrical and electronic appliances, it must be disposed of properly. At the end of its service life, take this unit for disposal at a designated public collection point.